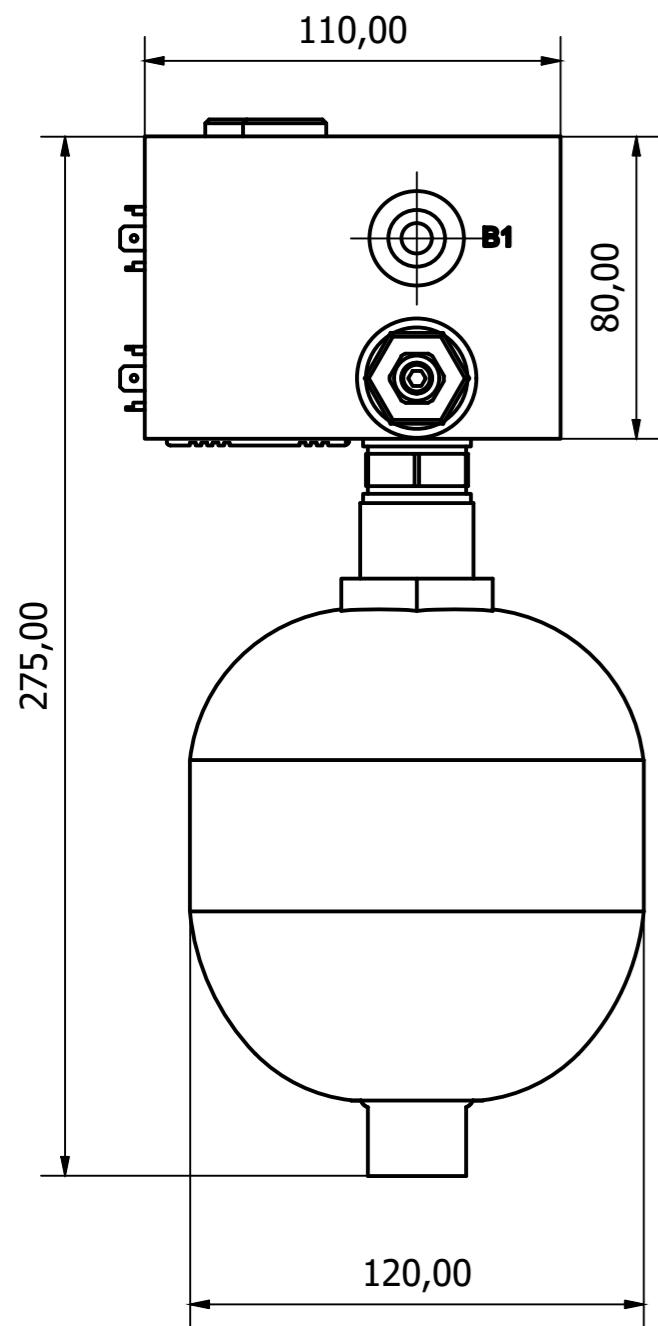
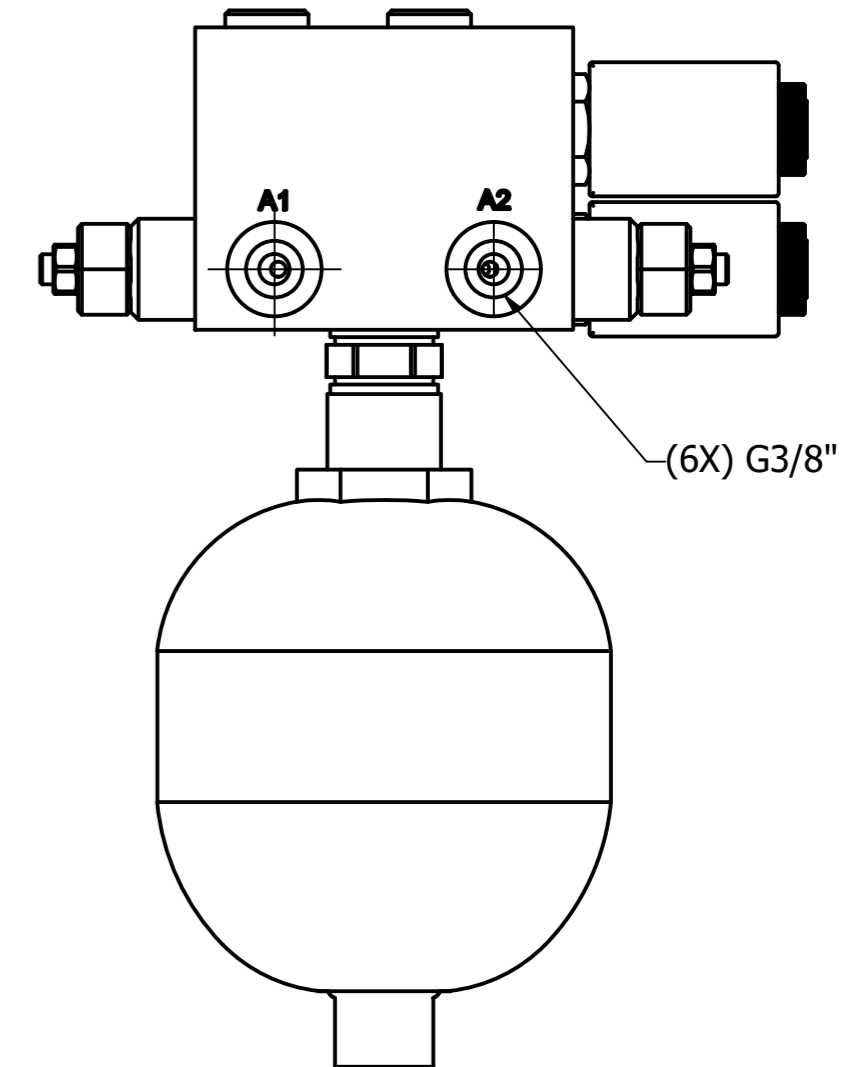
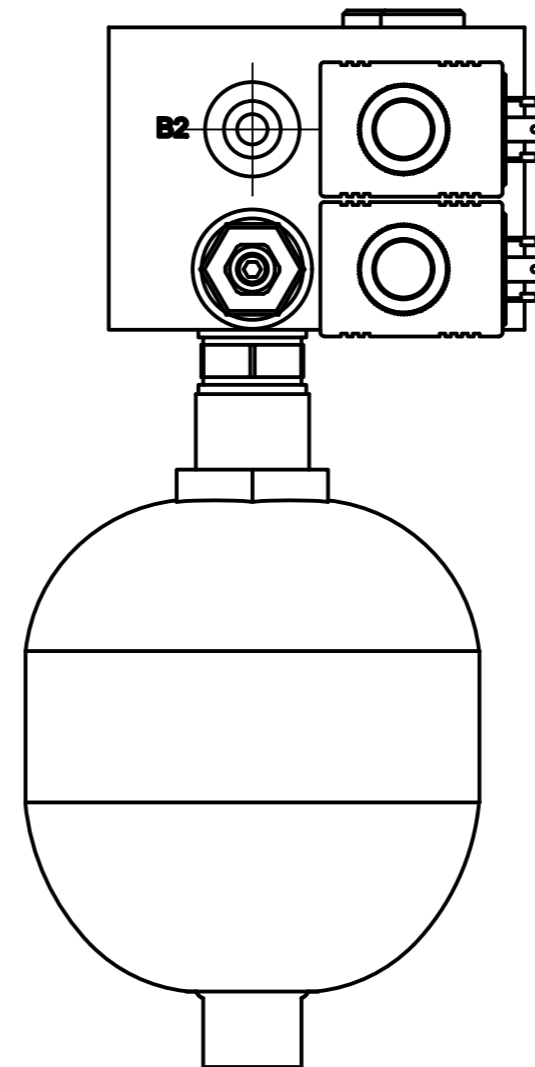
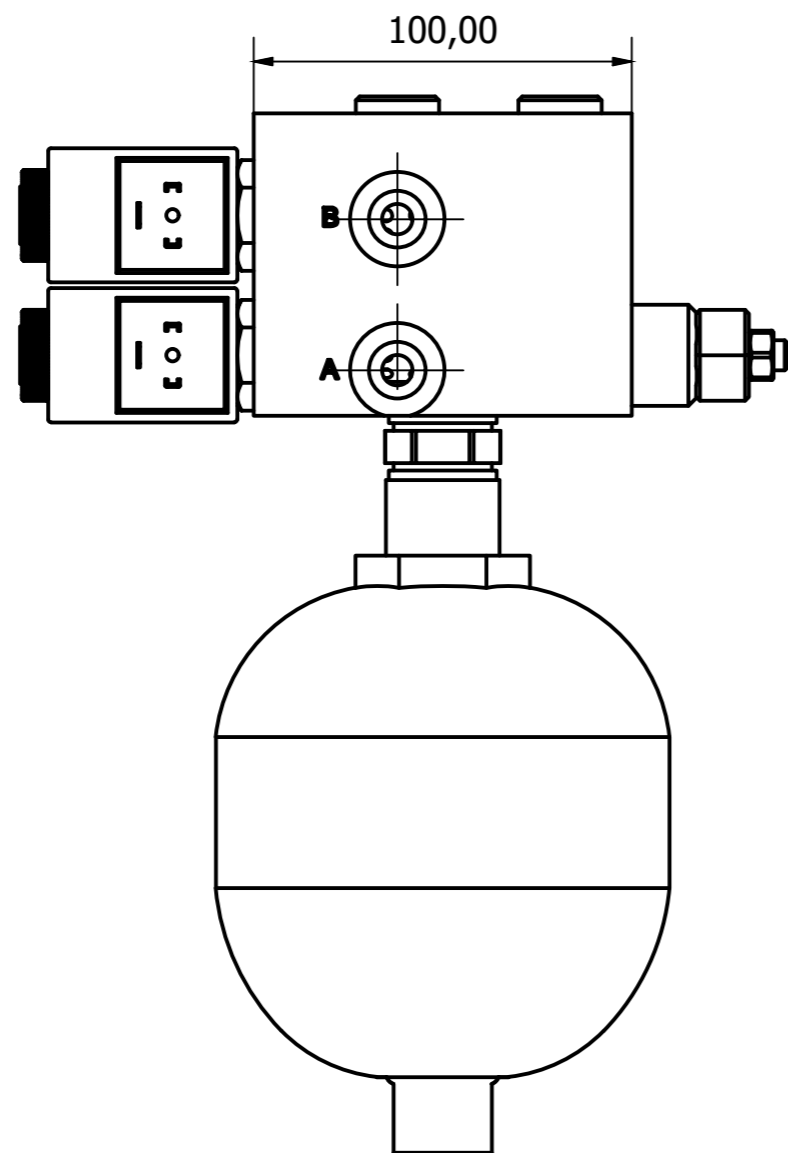
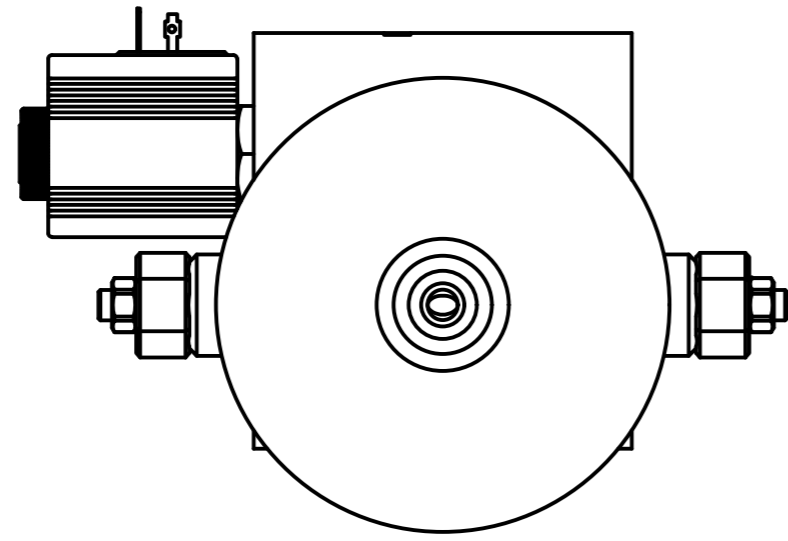
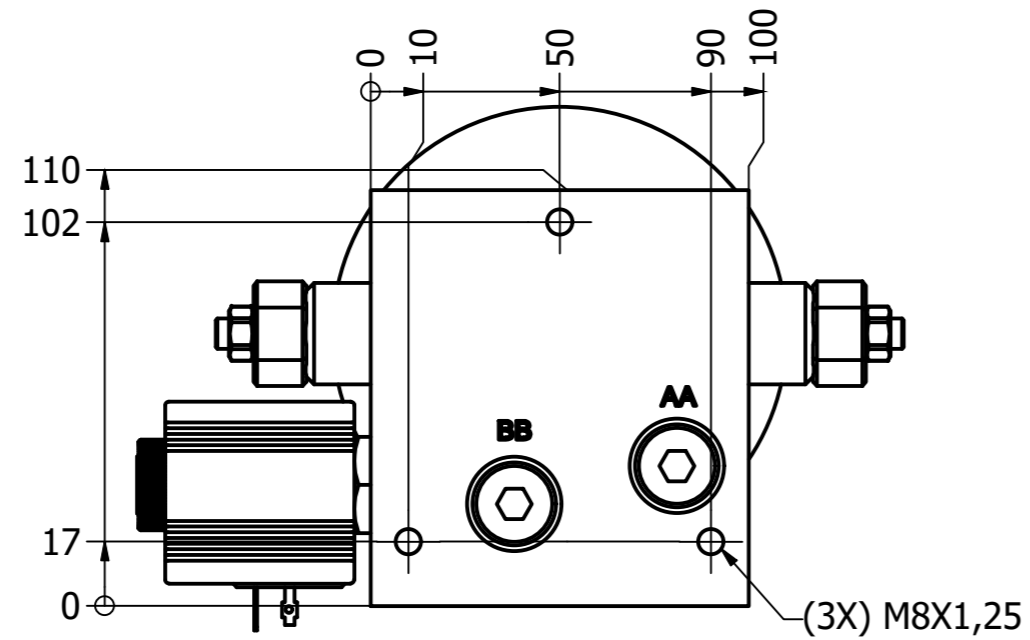


# VÄNSTER DIAGONAL HÖGER VENTIL

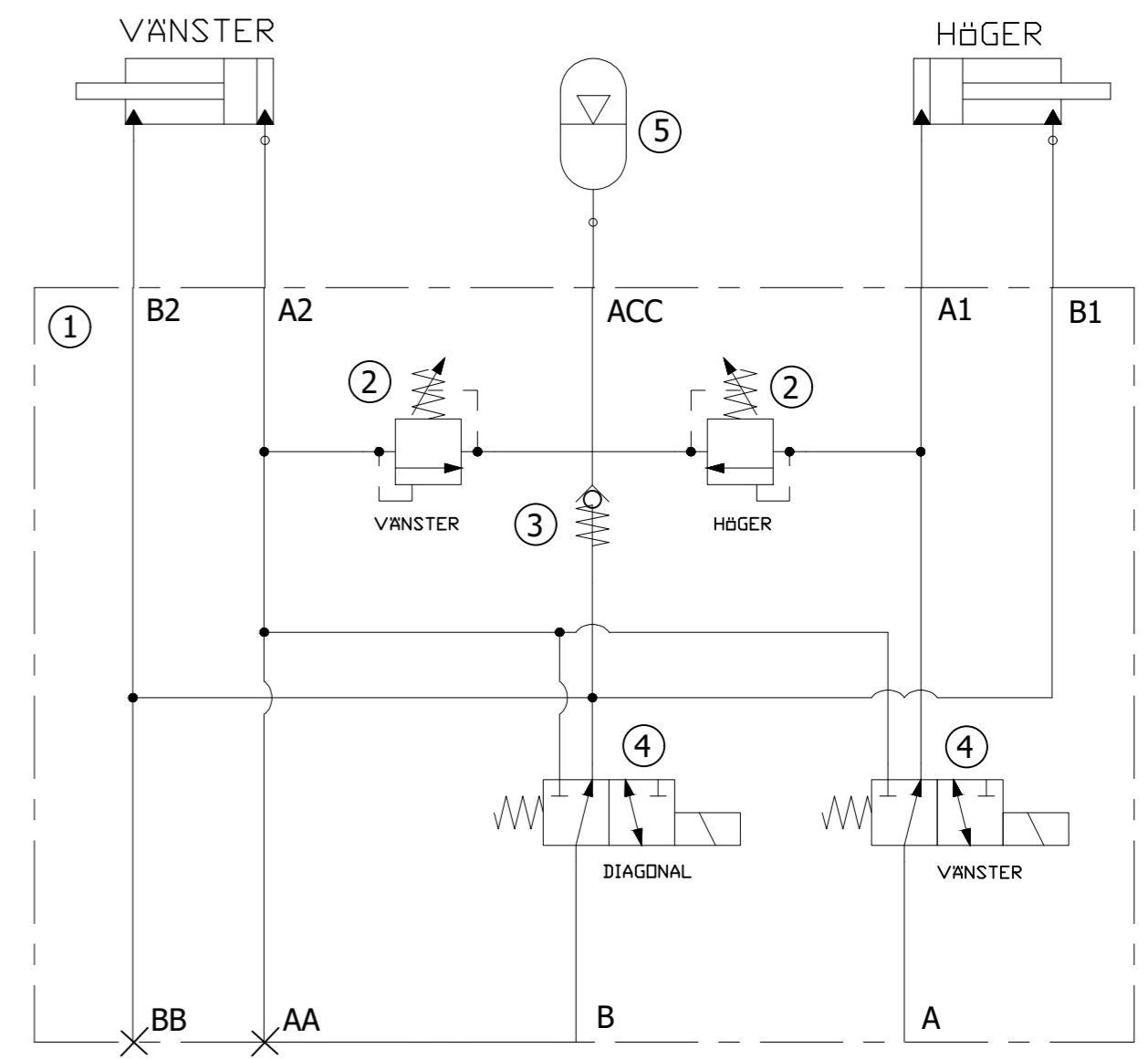
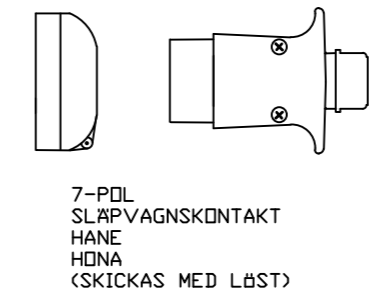
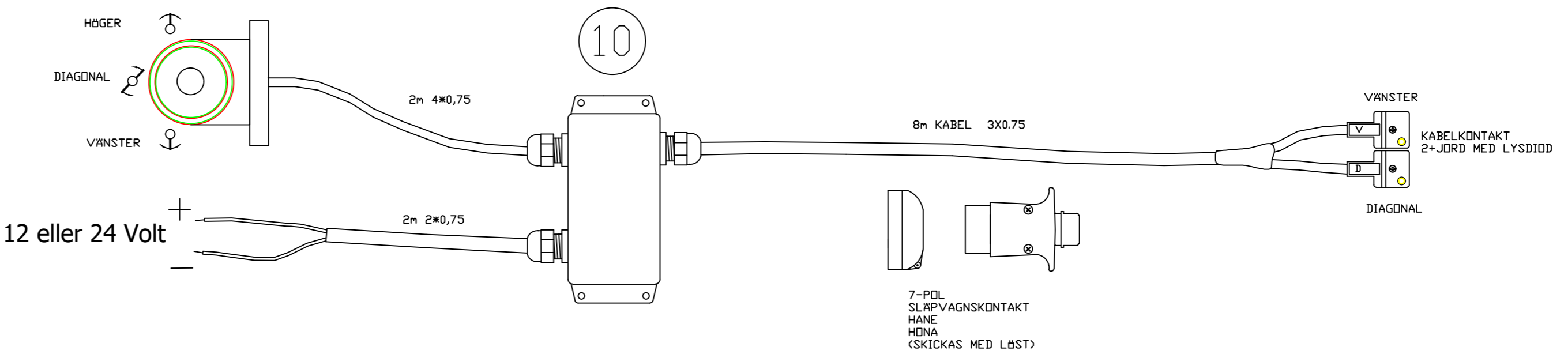
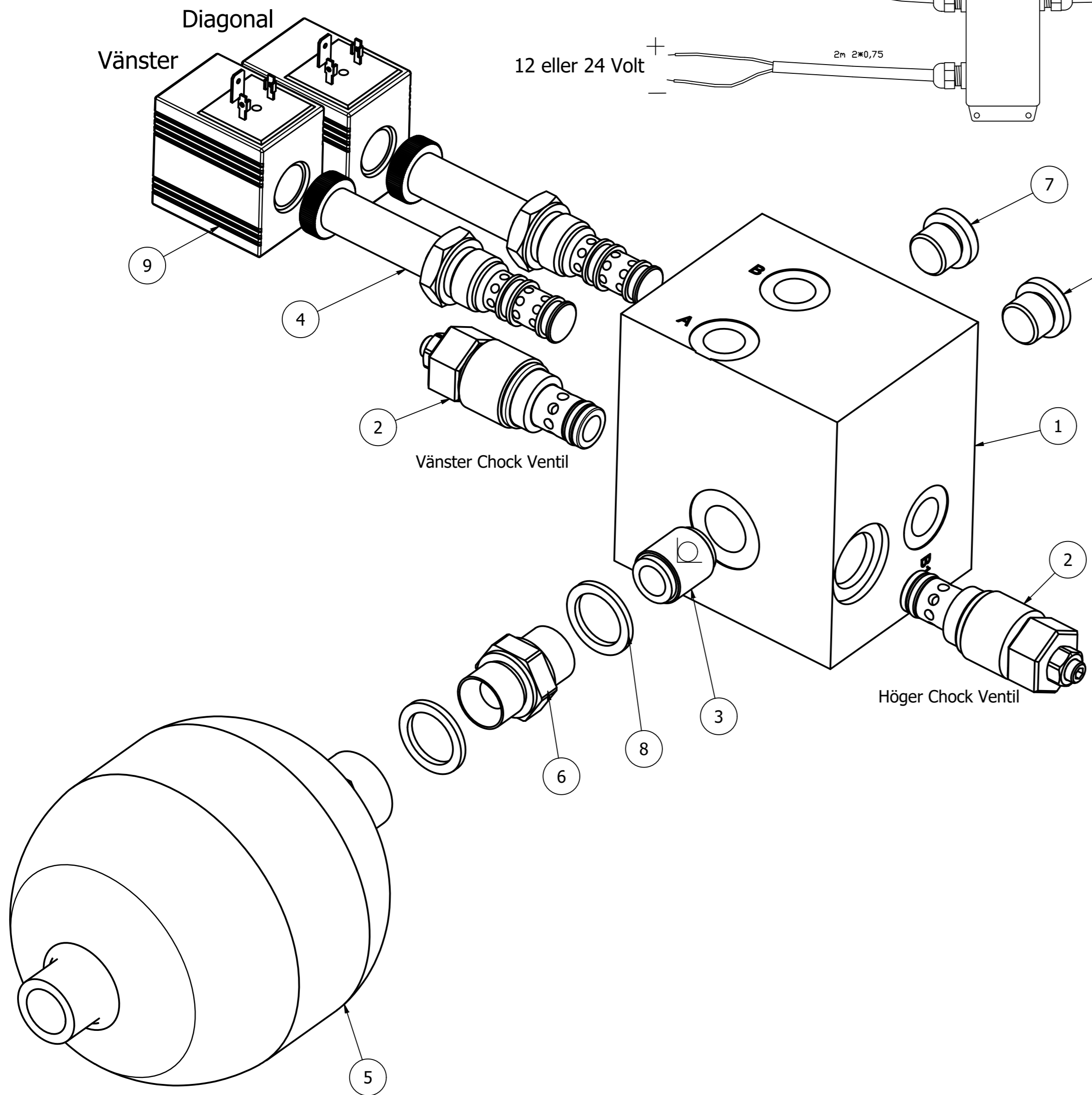


275,00



Parts List				
ITEM	QTY	PART NUMBER	DESCRIPTION	COMMENT
1	1	VIK-001	Manifold	
2	2	P10M-23-3-S180	Reliefvalve	180Bar
3	1	VUI-12	Checkvalve	
4	2	S521HN	3-waysvalve	
5	1	1290039	Ackumulator	12Bar
6	1	201-08	Adaptor	
7	2	VSTI-06	Plug	
8	2	216-08	Bondseal	
9	1	C16H24/29	Coil	24 volt
9	1	C16H12/19	Coil	12 volt
10	1	VIK-001-Elsats	Elsats	12-24 Volt

Designed by TJ	Checked by	Approved by	Date 2018-12-28	Date
UNI-VÄG AB			VIK-001-EL	Edition Sheet 1 / 2



# VÄNSTER DIAGONAL HÖGER ELVENTIL

Parts List				
ITEM	QTY	PART NUMBER	DESCRIPTION	COMMENT
1	1	VIK-001	Manifold	
2	2	P10M-23-3-S180	Reliefvalve	180Bar
3	1	VUI-12	Checkvalve	
4	2	S521HN	3-waysvalve	
5	1	1290039	Ackumulator	12Bar
6	1	201-08	Adaptor	
7	2	VSTI-06	Plug	
8	2	216-08	Bondseal	
9	1	C16H24/29	Coil	24 volt
9	1	C16H12/19	Coil	12 volt
10	1	VIK-001-Elsats	Elsats	12-24 Volt

Designed by TJ	Checked by	Approved by	Date 2018-12-28
UNI-VÄG AB		VIK-001-EL	Edition Sheet 2 / 2

