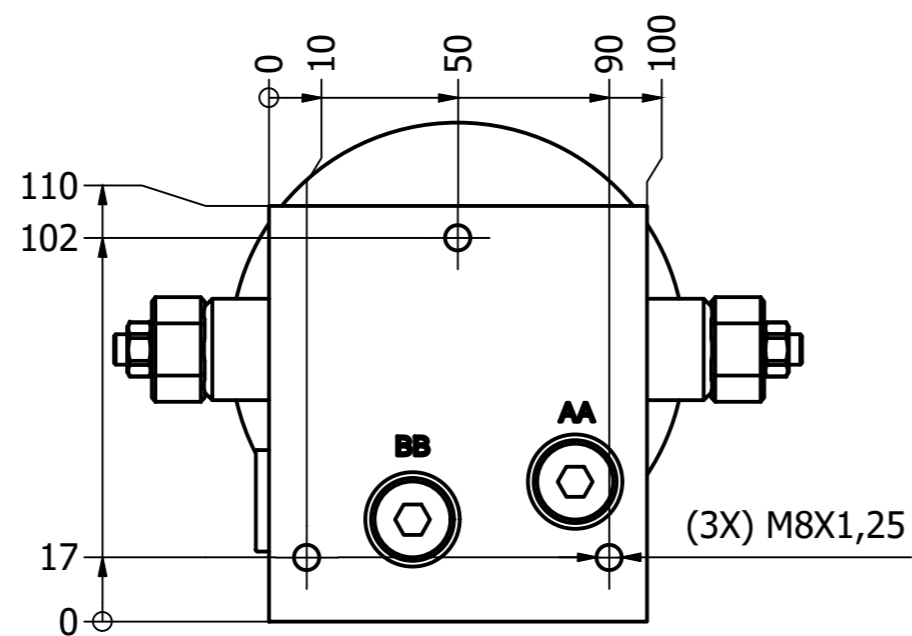
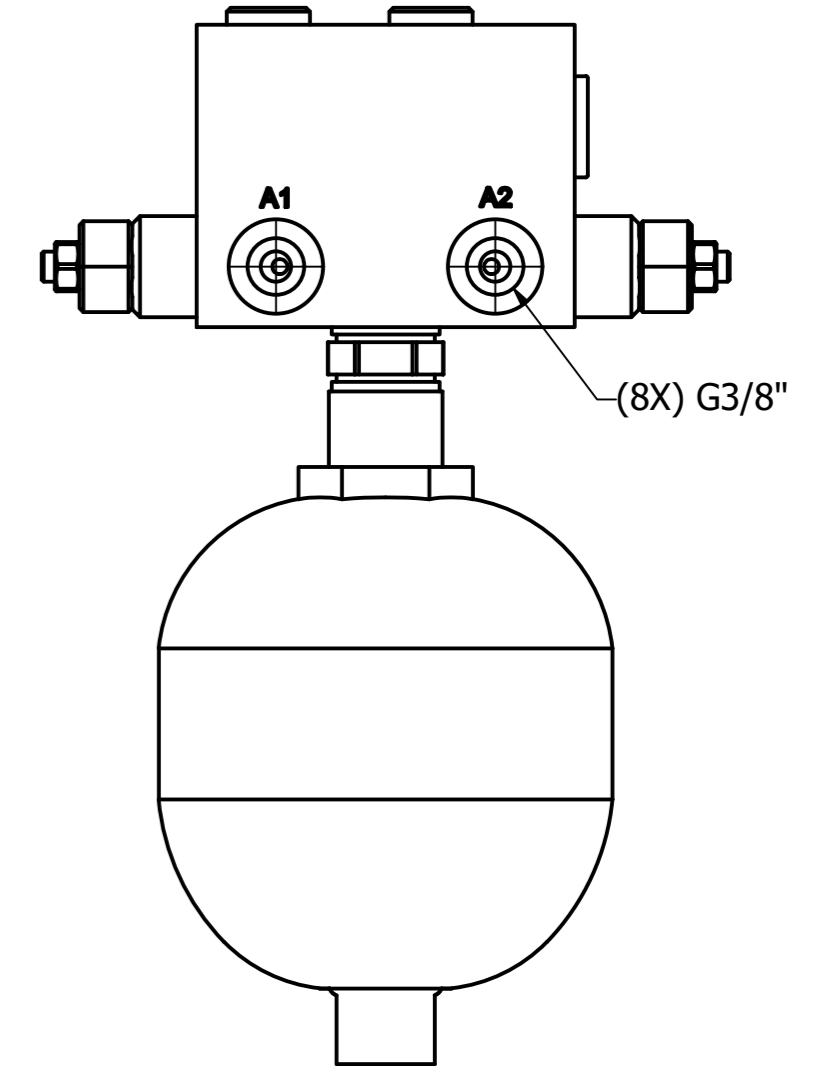
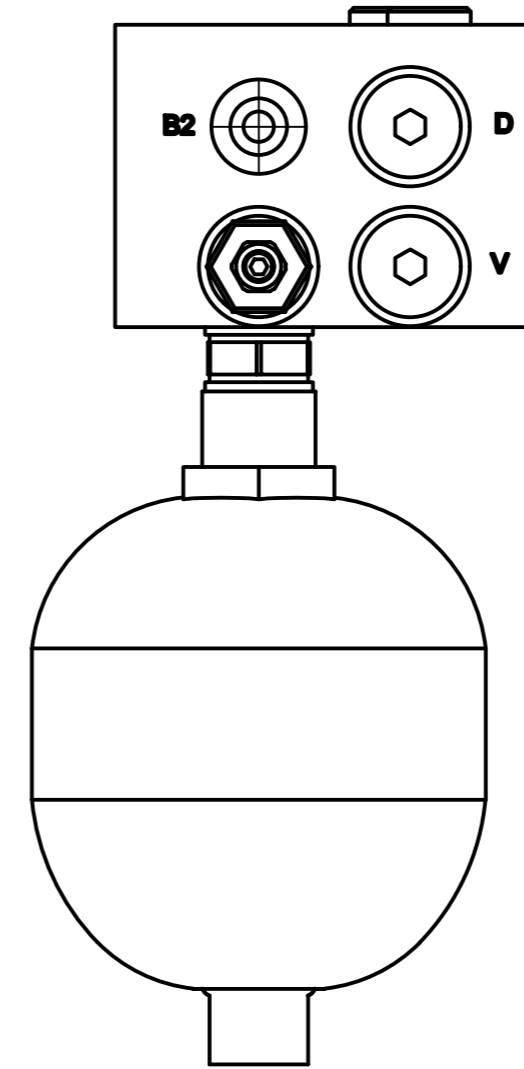
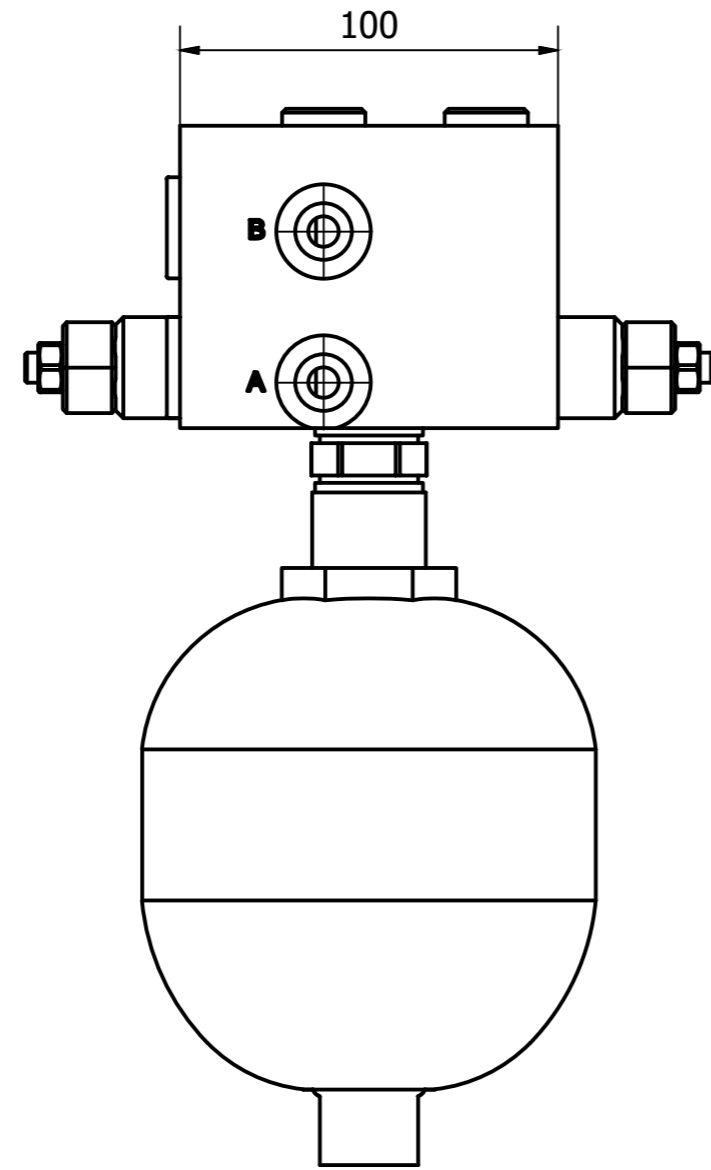
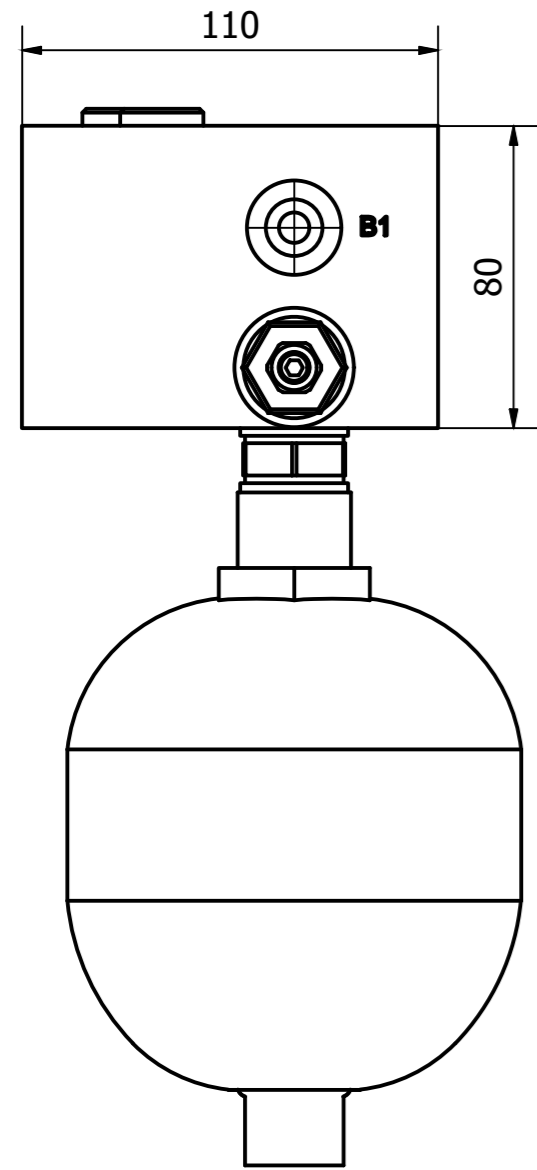
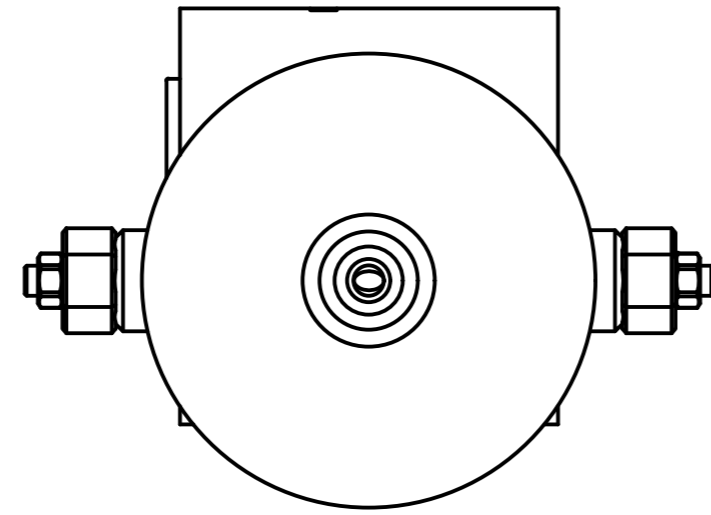


# CHOCKVENTIL

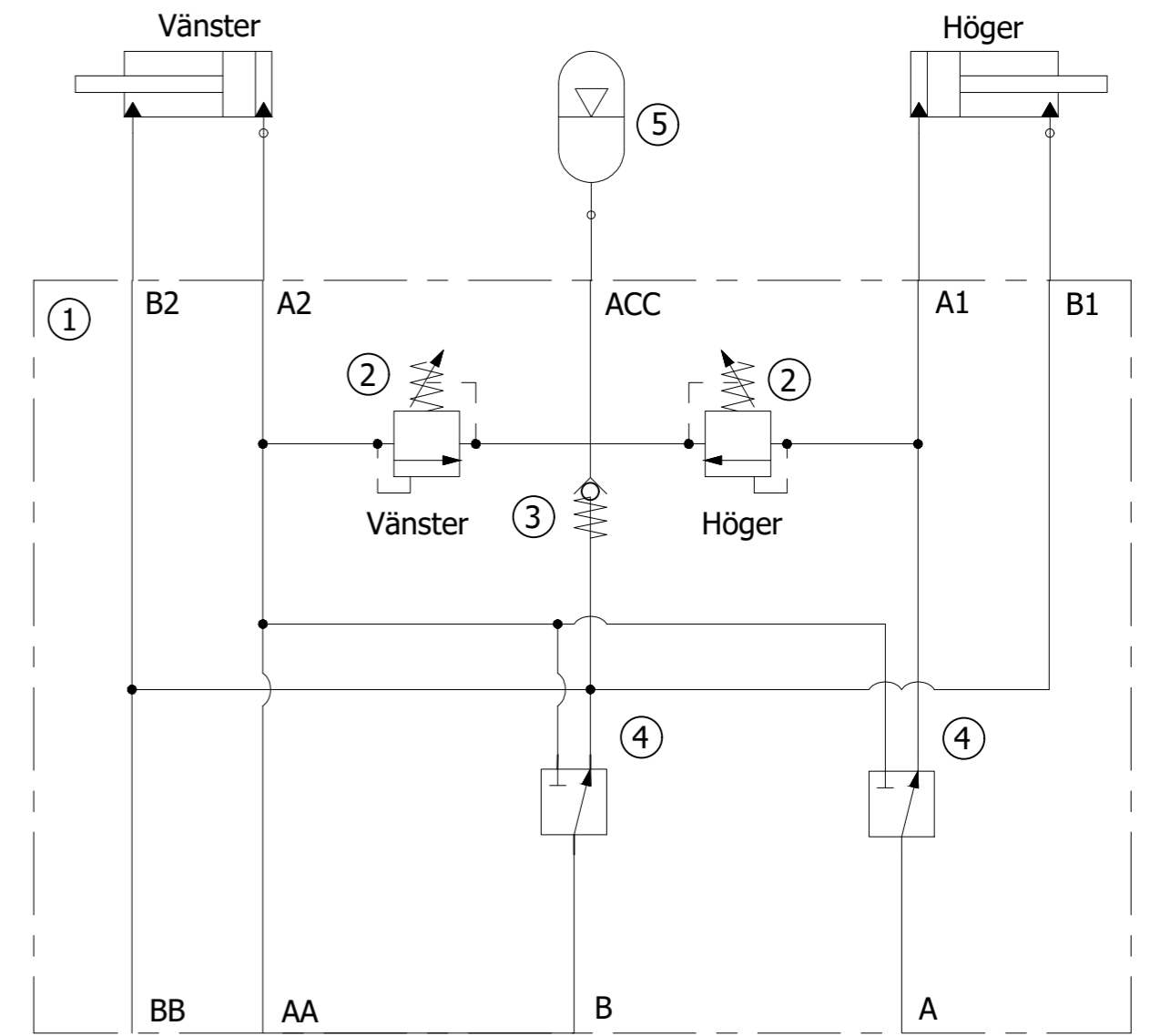
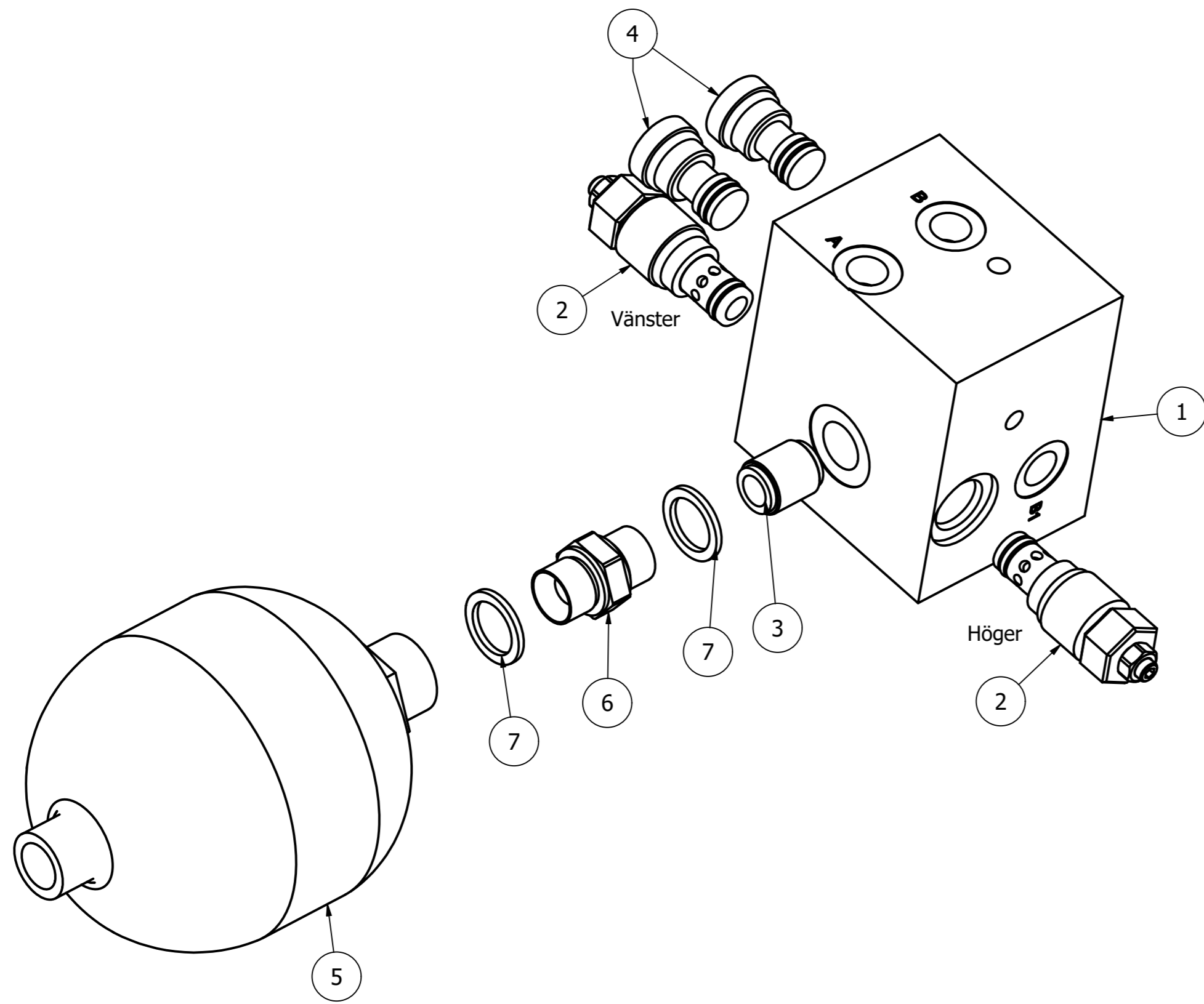


Parts List				
ITEM	QTY	PART NUMBER	DESCRIPTION	COMMENT
1	1	VIK-001	Manifold	
2	2	P10M-23-3-S180	Reliefvalve	180Bar
3	1	VUI-12	Checkvalve	
4	2	5AT003	Cavityplug	
5	1	1290039	Ackumulator	12Bar
6	1	201-08	Adaptor	
7	2	VSTI-06	Plug	
8	2	216-08	Bondseal	

Designed by TJ	Checked by	Approved by	Date 2018-12-28
-------------------	------------	-------------	--------------------

UNI-VÄG AB		VIK-001-C	Edition	Sheet 1 / 2
------------	--	-----------	---------	----------------

# CHOCKVENTIL



FJÄRDEFUNKTION

TREDJEFUNKTION

Parts List				
ITEM	QTY	PART NUMBER	DESCRIPTION	COMMENTS
1	1	VIK-001	Manifold	
2	2	P10M-23-3-S180	Reliefvalve	180Bar
3	1	VUI-12	Checkvalve	
4	2	5AT003	Cavityplug	
5	1	1290039	Ackumulator	12Bar
6	1	201-08	Adaptor	
7	2	216-08	Bondseal	
Designed by		Checked by	Approved by	Date
TJ				2018-12-28
UNI-VÄG AB			VIK-001-C	Edition
				Sheet
				2 / 2